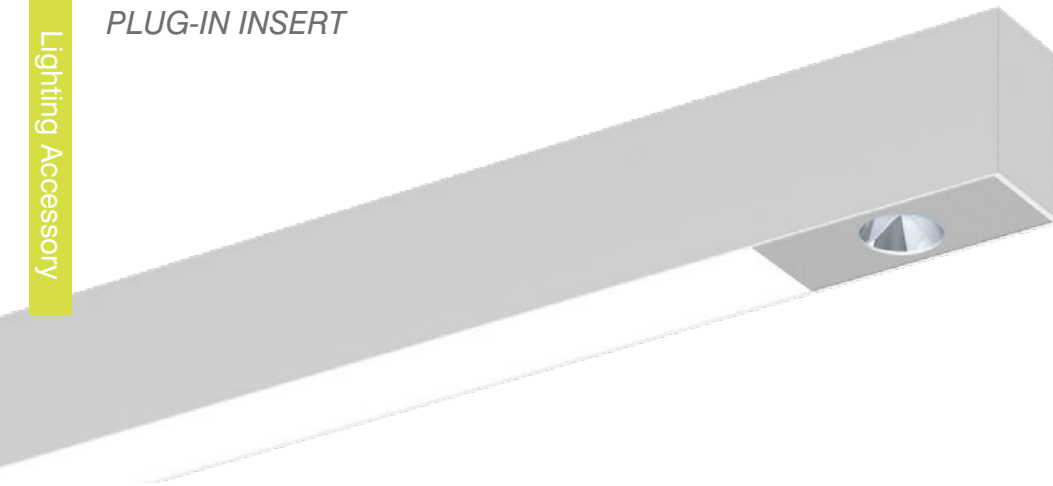


VESTA DOWNLIGHT

PLUG-IN INSERT



(Shown in Vesta 1)

Vesta Downlight Plug-in Inserts – Our Vesta Accessories add customizability to the already versatile Vesta Family. Downlight Plug-in mounts flush to any Vesta and will break up the long, wide spread of the Vesta. The spotlights can be switched separately enabling fully customizable lighting and are configurable with all Vesta Accessories.

Ordering Code

370

1

2

3

4

5

6

7

Product Specifications

SAMPLE : 370 - A90 - 710 - 27 - 07 - 01 - STD

Model - 1	CRI - 2	Optic - 3	CCT - 4	Lumen - 5	Finish - 6	Driver - 7	Dim Level
370 · Downlight Plug-in	A90 · 90 CRI	710 · 17° 724z · 24° 760 · 60°	27 · 2700K 30 · 3000K 35 · 3500K 40 · 4000K	07 · 700 (6W) 10 · 1000 (9W) 15 · 1500 (14W)	01 · White 02 · Black 08 · Silver XX · Custom	STD/LCS · 0 - 10 Volt dim option incl. ELDOLC · 0 - 10 Volt Protocol ELDODA · Dali Protocol LUTES · Hilume Ecodigital LUT3W · Hilume 3 Wires LUT2W · 2 Wire for phase*1 LUT5S · 5 Series Eco System DMX · SENSO	1% 1% 1% 1% 1% 1% 5%

*1 120V only

Project : _____

Quantity : _____

Type : _____

Notes : _____

VESTA DOWNLIGHT

PLUG-IN INSERT

Light Engine

- Output:** up to 1500lm
- High Efficacy:** up to 150 lumen/Watt
- Colour Options (CCT):** 2700K, 3000K, 3500K, 4000K
- Colour Consistency:** Range within a 3-MacAdam Ellipse
- Colour rendering (CRI):** 90 CRI & 50+ R9 Value

Driver

- Dimming:** 1% dimming standard with 0.1% option
- Ripple:** Industry leading Low ripple
- Efficiency:** Power Factor >0.9
Efficiency over 85%
Class 2 output for safety

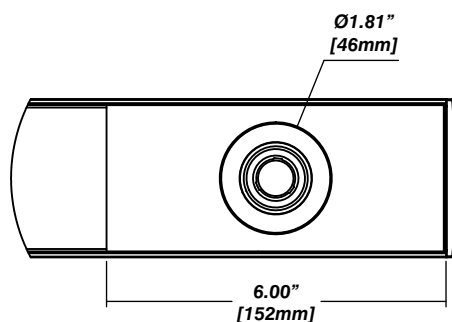
Installation

- Pre-installed connection points
- One step electrical connection to Vesta
- Fully configurable with all Vesta and Vesta Accessories
- Mounts flush with Vesta

Construction

- Machined aluminum construction
- Powder coated to perfectly match the Vesta housing
- Made in Canada

Dimensions



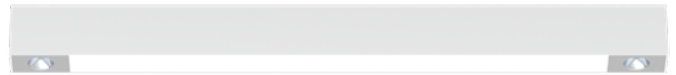
Configurations

- Some configurations include:

Multiple Plugs with Vesta Uplight



Multiple Plugs with Vesta Downlight



Mix and Match with any Vesta Accessory

