

IP67 & IK10 RATED



# TRIDENT

WET-RATED LINEAR PROFILE



IP67 IK10



**Trident - IP67 & IK10 Rated Linear Profile.** The Trident is designed for applications where your space is exposed to wet conditions. It is our first linear profile designed with the LED encapsulation process in mind to ensure a properly cured, vandal resistant seal with hard resin. With many options available, it is highly modular, versatile and easy to install.

## Ordering Code

Fixture	<b>455</b>	<b>405</b>						
	1	2	3	4	5	6	7	8
Driver		<b>24</b>						
	1	2	3	4	5			

## Product Specifications

SAMPLE : Fixture 455 - 405 - FH - 062 - 27 - 02 - E36 - 6' | Driver 906 - 24 - 060 - STD - 120

1 - Type	2 - Model	3 - Resin	4 - LED Style*1/2			5 - CCT		6 - Finish
<b>455</b> · IP67 & IK10 Rated Profile	<b>405</b> · Trident	<b>FS</b> · Frosted Soft <b>CS</b> · Clear Soft <b>FH</b> · Frosted Hard <b>CH</b> · Clear Hard	Pro 56 <b>062</b> · 194 <b>117</b> · 376	Pro 112 <b>122</b> · 383 <b>175</b> · 559	RGB*3 <b>RGB</b> · RGB <b>RGBW</b> · RGBW	Pro 56/112 <b>27</b> · 2700K <b>30</b> · 3000K <b>35</b> · 3500K <b>40</b> · 4000K <b>50</b> · 5000K	RGB*3 <b>98</b> · RGB <b>99</b> · RGBW	<b>02</b> · Black <b>08</b> · Silver

7 - Feed Length	8 - Fixture Length*2	1 - Driver Style		2 - Output Voltage	3 - Wattage
<b>B36</b> · 36" Back Fed <b>E36</b> · 36" End Fed <b>BXX</b> · Custom Back Fed <b>EXX</b> · Custom End Fed	<b>XX</b> · Custom (XX.XX") <i>Continuous runs will be made in equal sections no more than 8' long</i>	Wet Location <b>906</b> · Outdoor Driver	Dry Location <b>902</b> · Standard Driver <b>908</b> · 120V Phase DIM*4	<b>24</b> · 24V	<b>060</b> · 60W <b>096</b> · 96W

4 - Control	Dim Level	5 - Input Voltage	
<b>STD</b> · Standard Driver	N/A	<b>120</b> · 120V	*1 Measured in Lm/ft (based on 3000K) *2 Refer to page 2 for LED cut length intervals *3 DMX driver required *4 Only available with DIM - phase dim *5 Dry Location only
<b>LCS</b> · 0-10V Driver	1%	<b>277</b> · 277V	
<b>DMX</b> · SENSO	1%	<b>347</b> · 347V*5	
<b>DIM</b> · 120V Phase DIM	1%		
<b>LUTRON</b> · CV Ecosystem 3-wire	0.1%		

Project : \_\_\_\_\_

Quantity : \_\_\_\_\_

Type : \_\_\_\_\_

Notes : \_\_\_\_\_

# TRIDENT

WET-RATED LINEAR PROFILE

## 24V Linear LED Light Source

	STYLE	WATT/FT	LUMENS/FT	CRI	MAX. LENGTH	CUT LENGTH	LED/FT	COLOR TEMPERATURE	DESCRIPTION	
<b>PRO 56</b>	<b>062</b>	1.5	194	90	32.8'	4.92"	17	2700K, 3000K, 3500K, 4000K, 5000K	Even LED layout (56 led/m / 17 led/ft) for balanced performance and efficiency.	
	<b>117</b>	2.9	376	90	16.4'	4.92"	17			
<b>PRO 112</b>	<b>122</b>	2.9	383	90	23.0'	2.46"	34		Dense LED layout (112 led/m / 34 led/ft) creates no dots with frosted lens.	
	<b>175</b>	4.4	559	90	14.75'	2.46"	34			
<b>RGB</b>	<b>RGB</b>	4.4	204	-	16.4'	3.94"	18		-	Individually control Red, Green, Blue and White (white only with RGB+W)
	<b>RGB+W</b>	6.78	364	-	10.7'	3.54"	81		-	

\* Lumen output based on 3000K, for other output information, please consult SENSO.

## Key LED Strip Features

- 3 STEP MacAdam LEDs or Single Bin LEDs
- LED efficacy up to 171 lm/W
- Only 8 mm width
- 24V DC voltage input
- Reverse voltage protection
- 50,000 hour life expectancy

## Resin & Profile Features

### Top Layer

The top resin layer of the Trident acts as the lens and first line of defense for the LED.

#### Soft cured resin:

Outdoor resistant against rain, snow and direct sunlight as well as intense conditions like hail and acid rain. The resin is also thermal resistant against thermal cycles and drastic changes in temperature. Chemicals like detergents or disinfectants will not deteriorate, disintegrate or discolor the soft resin.

#### Hard cured resin:

The hard cured resin maintains all of the same outdoor resistant features as the soft, but acquires extra physical resistance as well. Abrasion resistance will keep the resin intact even after wear, impact or high levels of pressure are applied. It will prevent vandalism and resist fire and ignition. The hard resin allows any profile to be floor mounted.

### Fill Layer

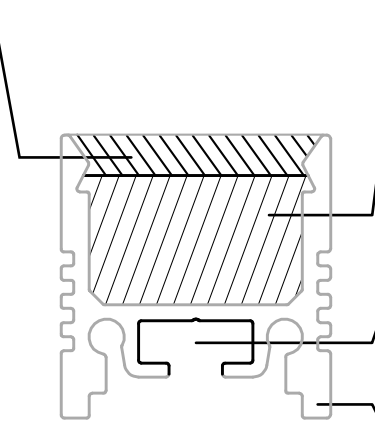
The fill layer of the wet rated Trident main purpose is to fully encapsulate and protect the LED strip. This fully sealed layer is able to maintain quality of light without any color shift. The fill layer will not yellow over time and will keep perfect CRI and color- consistency over the lifespan of the LED.

### Mounting Options

The Trident profile has a built-in channel for attaching a variety of mounting clips. Either surface, adjustable mount or suspended, all mounting options are suitable for outdoor installation. See page 3 for details.

### Aluminum Extrusion

Trident, along with all our profile fixtures, are made of anodized aluminum. This allows our profile to be as thin as possible while maintaining rigidity, limiting flex over long runs.



## Top Layer Finish

### Frosted Resin



The frosted resin top layer is available in both hard and soft options. It offers a soft diffused light with no dots.

### Clear Resin



The clear resin top layer is the best option for maximum light efficiency. Low light loss allows you to get the most out of each LED.

# TRIDENT

WET-RATED LINEAR PROFILE

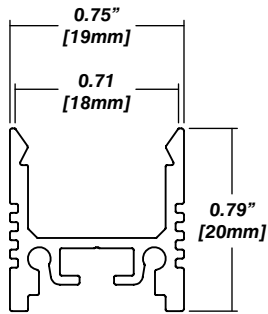
## Construction

- High quality poured resin lens
- Hard, soft, clear and frosted resin options
- Aluminum extruded profile

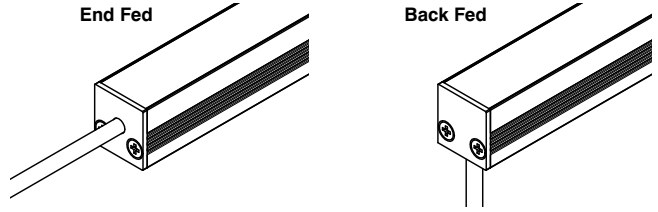
## Installation

- Factory assembled for easy and fast installation
- Electrical wire included

## Dimensions



## Feed Points & Joining Sections

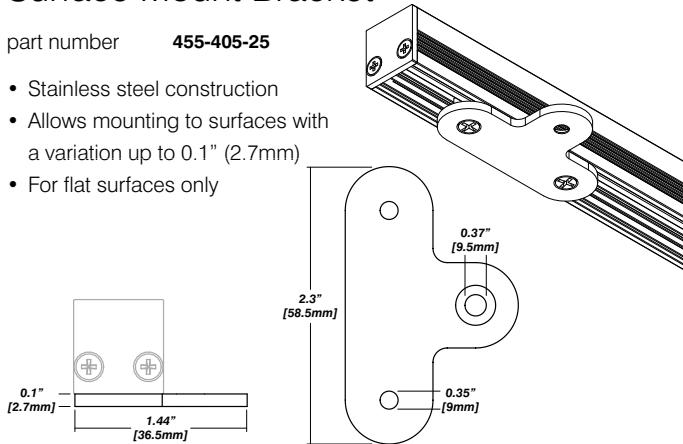


- Typical 2" jumper on runs over 8'
- Seamless profile with back fed jumper

## Surface Mount Bracket

part number **455-405-25**

- Stainless steel construction
- Allows mounting to surfaces with a variation up to 0.1" (2.7mm)
- For flat surfaces only



## Adjustable Bracket

part number **455-405-12**

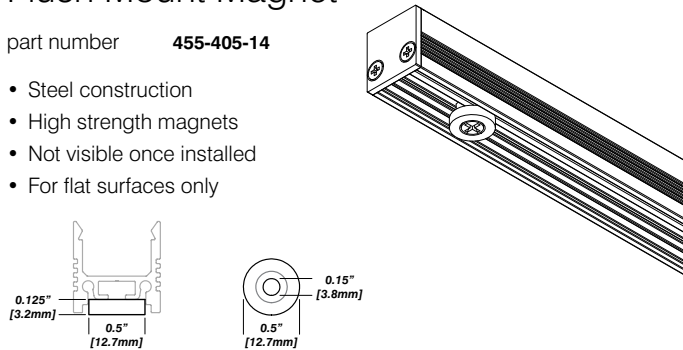
- Tilts up to 180°
- Aluminum construction
- Raises Trident by 1.0" [25mm]



## Flush Mount Magnet

part number **455-405-14**

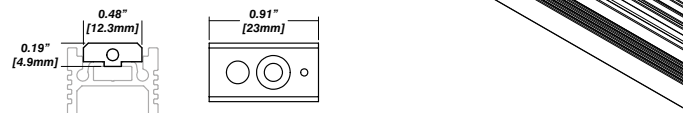
- Steel construction
- High strength magnets
- Not visible once installed
- For flat surfaces only



## Suspension

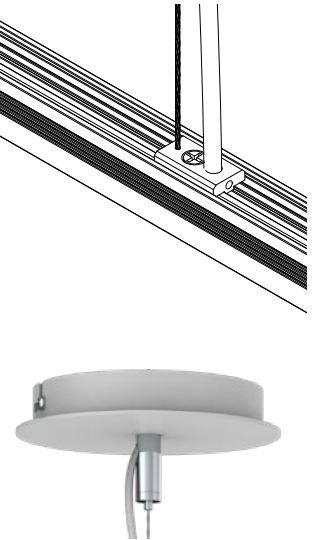
### Fixture Mount

- Machined aluminum construction
- Custom suspension length
- Included aircraft cable



### Canopy

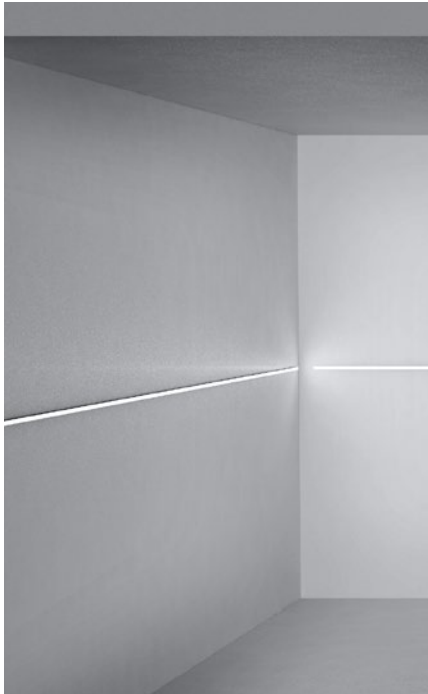
- Aluminum construction
- Gripper for aircraft cable and feed
- Includes 8 feet of each cable



IP67 & IK10 RATED

# TRIDENT

WET-RATED LINEAR PROFILE



## Flush / Surface Mounted

Part Number **455-405-25** Bracket

Part Number **455-405-14** Magnet

Flush mounting allows for the most discreet installation of linear profile lighting without the need for extensive modification to a space. Either bracket or magnet will achieve the minimalism expected from flush mount applications.



## Adjustable Bracket Mount

Part Number **455-405-12**

Linear profile mounted by adjustable brackets offers maximum movement in fixed placement. 180 degrees of rotation means the lighting works for the setting, not the other way around.



## Suspended System

The Trident profile is equipped with suspension mounting without compromising the weatherproof housing of the LED strip.

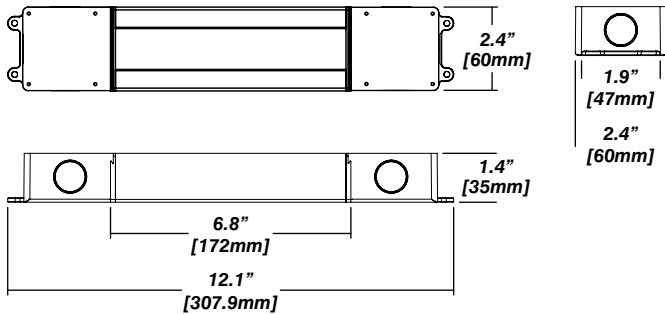
## Driver Data

Driver	Output Voltage	Input voltage	Wattage	Efficiency @ Max Load	Power Factor	Dim Level	Dim Protocol
<b>STD</b>		120V, 277V, 347V		86%	>0.90	N/A	N/A
<b>LCS</b>		120V, 277V, 347V		>87%	>0.95	1%	0-10V
<b>DIM</b>	24V	120V	60W, 90W	>90%	>0.95	1%	Phase
<b>DMX</b>		120V, 277V				1%	DMX
<b>LUTRON</b>		120V, 277V		90%	>0.99	0.1%	ECO System

## Wet Location Driver

- Outdoor rated IP65
- Built in junction boxes
- 0 - 10V Dimmable and flicker free down to 1%
- CSA Approved
- Class 2, Class P
- Auto-reset protection for short circuit and over-temperature
- Overload protection

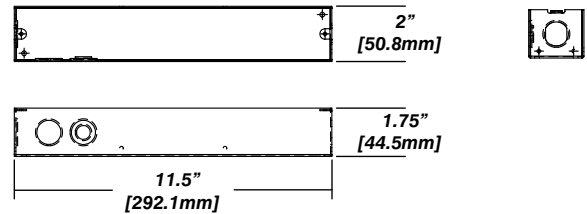
LCS



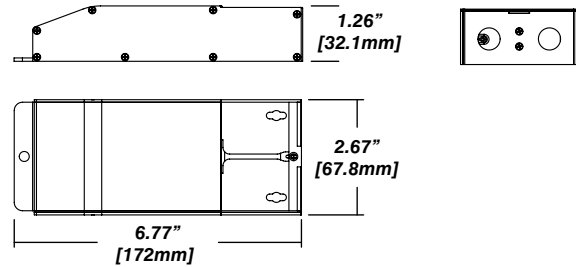
## Dry Location Drivers

- CSA Approved
- Class 2, Class P
- 0 - 10V Dimmable and flicker free down to 1%
- Auto-reset protection for short circuit and over-temperature
- Overload protection
- For DMX contact SENSO

STD



DIM



Lutron

