

# CTL19 C

## Mini-Stealth LED Wall Lighter Mono-Point Canopy Mount

### Specifications/Features

#### Fixture

High performance, eco-friendly LED luminaire delivering up to 3500 lumens in a smooth wide beam providing excellent uniformity; well suited for any wall lighting application.

Available in four (4) wattage/lumen options to provide the right light levels for any wall lighting application.

Cast and finned aluminum heatsink has been thermally engineered to provide optimal heat dissipation ensuring long life and consistent performance.

Dimming is available and allows smooth illumination down to 1% utilizing Lutron Hi Lume or Lutron EcoSystem driver option.

For dimmer compatibility of standard "D" driver option, refer to Dimming Specifications sheet.

Mono-point canopy housing constructed of cast aluminum, may be ceiling or wall mounted.

Lockable, precision aiming adjustment: 360°+ aiming horizontal and 220° vertical rotation.

Can accept up to two (2) media by using the FA-59 Accessory Holder, FA-60 Snoot, FA-61 Visor or BD19 Barn Doors.

Fixture weight: 3.5lbs.

#### Lamp/Electrical

Light engine consists of a single, high lumen output multi-chip LED array. Available in the following color temperatures: 2700K, 3000K, 3500K and 4000K; CRI 80 min., 83 Typical. High CRI 90+ available.

Excellent fixture to fixture color consistency within a 3-step MacAdam Ellipse tolerance.

System designed and rated for 50,000 hours at 70% lumen maintenance. The CTL19 fixtures utilize drivers manufactured by ERP and Lutron. For additional information, please consult factory.

#### Warranty

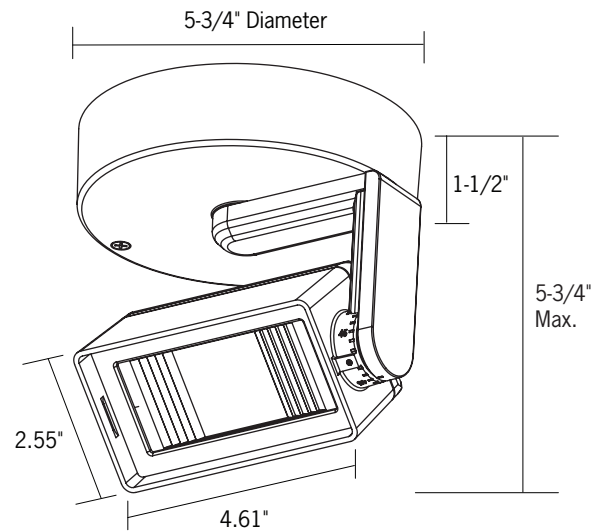
This complete fixture is covered by ConTech's full five (5) year replacement guarantee after date of purchase.

#### Listing

cCSAus Certified to UL standards. Suitable for damp locations.

Energy Star approved at 120V and 277V.

DLC Listed at 120V only.



### Ordering Information

Example Order:  –

Fixture	Orientation	Color Temp	Driver Option	Finish	Accessories
<input type="text"/>	<input type="text"/>	<input type="text"/>	<input type="text"/>	<input type="text"/>	<input type="text"/>
<b>CTL190</b> - 14W/1600Lm <b>CTL191</b> - 19W/2200Lm <b>CTL192</b> - 28W/2900Lm <b>CTL193</b> - 35W/3500Lm	<b>C</b> - Mono-Point Canopy	<b>27</b> - 2700K <b>3</b> - 3000K <b>35</b> - 3500K <b>4</b> - 4000K <b>27C</b> - 2700K, 90+ CRI <b>3C</b> - 3000K, 90+ CRI <b>35C</b> - 3500K, 90+ CRI <b>4C</b> - 4000K, 90+ CRI	<b>MVD</b> - 120-277V Triac, ELV, 0-10V Dimming <b>12D3</b> - 120V Lutron Hi-lume 1% 2-Wire LED Driver (120V Forward Phase Only) <b>MVD4</b> - 120V-277V Lutron Hi-lume 1% EcoSystem LED Driver with Soft-On, Fade-to-Black Dimming	<b>B</b> - Black <b>P</b> - White <b>S</b> - Silver	<b>FA-59-(B,P,S)</b> - Accessory Holder <b>FA-60-(B,P,S)</b> - Snoot/Access. Holder <b>FA-61-(B,P,S)</b> - Visor/Access. Holder <b>BD19-(B,P,S)</b> - Barn Doors/Access. Holder <b>LF59-*</b> - Tempered Glass Lenses* <b>FA-62*</b> - Honeycomb Louver *Accessory Holder is required

\*Color/Pattern Legend

-A (Amber), -B (Blue), -CL (Clear), -G (Green), -DPE (Dichroic Peach), -LB (Light Blue), -R (Red), -RO (Rose), -Y (Yellow), -73 (Spread Lens), -LSV (Linear Spread Lens, Vertical), -LSH (Linear Spread Lens, Horizontal), -SL (Soft Light), -SOL (Solite)

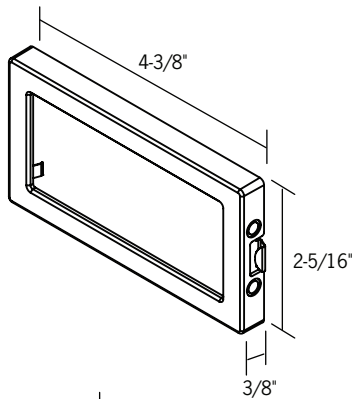
# CTL19

## Mini Stealth LED Wall Lighter Track Luminaire Accessories

Catalog No. \_\_\_\_\_

Type \_\_\_\_\_

Project \_\_\_\_\_

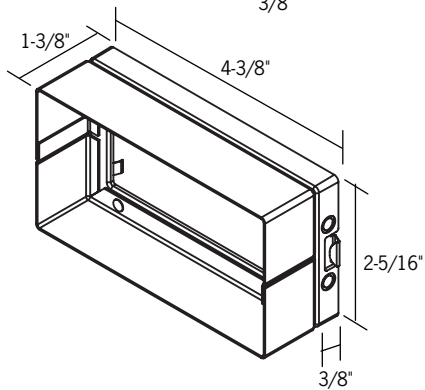


### Accessory Holder

Will accept up to two (2) LF59 lenses or FA-62 louvers. Finish: B,P,S



**FA-59**

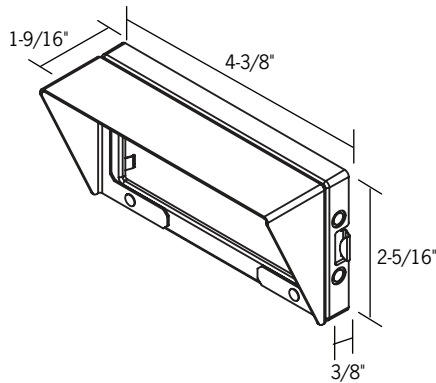


### Snoot

Will accept up to two (2) LF59 lenses or FA-62 louvers. Finish: B,P,S, for P and S finishes, the inside surface is black.



**FA-60**

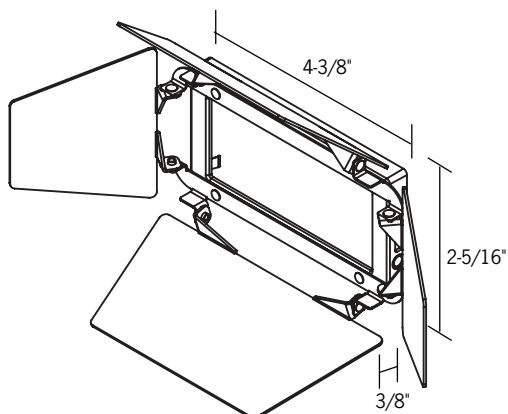


### Visor

Will accept up to two (2) LF59 lenses or FA-62 louvers. Finish: B,P,S, for P and S finishes, the inside surface is black.



**FA-61**

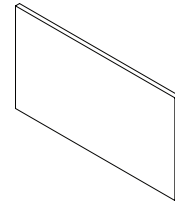


### Barn Doors

Barn doors extend 3" max. from face of fixture. Width: 3-1/2" - 9-3/4", Height: 1-1/2" - 7-3/4". Will accept up to two (2) LF59 lenses or FA-62 louvers. Finish: B,P,S



**BD19**



### Tempered Glass Lenses

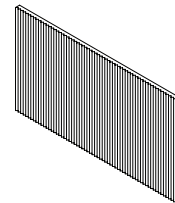
3-15/16" L x 2"H x 1/8" D



**LF59 - (A, B, CL, DPE, G, LB, R, RO, Y, 73, SL, SOL, UV)**

#### Color/Pattern Legend

-A (Amber), -B (Blue), -CL (Clear), -G (Green), -DPE (Dichroic Peach), -LB (Light Blue), -R (Red), -RO (Rose), -Y (Yellow), -73 (Spread Lens), -SL (Soft Light), -SOL (Solite), -UV (Optivex UV Filter)

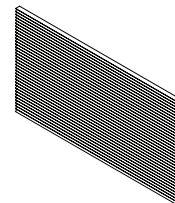


### Linear Spread Lens, Horizontal

Linear spread glass with vertical ribs designed to elongate beams horizontally. 3-15/16" L x 2"H x 1/8" D



**LF59-LSH**

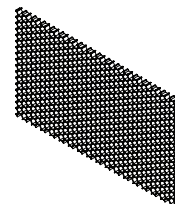


### Linear Spread Lens, Vertical

Linear spread glass with horizontal ribs designed to elongate beams vertically. 3-15/16" L x 2"H x 1/8" D

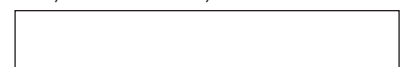


**LF59-LSV**



### Honeycomb Louver

Glare control and shielding accessory. 3-15/16" L x 2" H x 1/8" D



**FA-62**

# CTL19 C

## Mini-Stealth LED Wall Lighter Mono-Point Canopy Mount

### Photometrics: CTL193V3D-P 35W

Lumen output values fluctuate based on CCT and CRI. To estimate lumen output of the various CCT/CRI options, multiply 3000K (80 CRI min) results by the following:

CCT	Standard CRI	High CRI
2700K	.95	.74
3000K	N/A	.85
3500K	1.03	.89
4000K	1.07	.92

For 14W data multiply results by .46, for 19W data multiply results by .64, for 28W data multiply results by .85

### Footcandles on Wall

#### Track 3 Feet From Wall, 10' Mounting Height, Tilted 40 Degrees

Distance From Ceiling	Single Unit						Multiple Units													
	0'	1'	2'	3'	4'	5'	4' On Center			6' On Center			8' On Center							
	▼						▼		▼	▼		▼		▼	▼		▼		▼	
1'	99	84	55	30	13	5	120	114	120	100	55	99	97	25	101					
2'	109	94	63	34	15	6	138	133	137	112	68	111	107	32	111					
3'	103	92	66	39	20	9	141	142	141	110	78	110	104	39	107					
4'	66	62	49	32	18	10	104	108	104	76	66	76	68	37	70					
5'	41	39	34	25	16	9	75	78	76	53	51	53	45	32	46					
6'	26	25	22	18	13	8	55	56	55	37	38	37	31	26	31					
7'	17	16	15	13	10	7	40	41	41	27	28	27	22	21	22					
8'	11	11	10	9	7	6	30	30	30	21	21	20	16	16	16					
9'	6	6	6	5	5	4	23	23	23	16	16	16	12	13	12					
▼ is the beam center																				

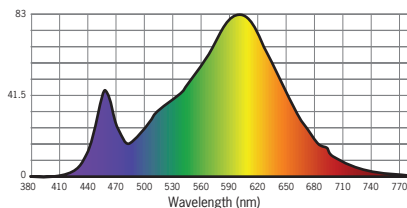
#### Track 4 Feet From Wall, 10' Mounting Height, Tilted 40 Degrees

Distance From Ceiling	Single Unit						Multiple Units													
	0'	1'	2'	3'	4'	5'	4' On Center			6' On Center			8' On Center							
	▼						▼		▼	▼		▼		▼	▼		▼		▼	
1'	52	47	36	24	14	7	78	78	78	58	47	57	53	26	55					
2'	63	58	45	29	16	8	98	100	98	72	60	72	66	34	67					
3'	72	67	53	36	22	12	118	121	118	84	74	84	76	44	76					
4'	57	54	46	33	21	12	104	108	104	72	70	72	62	44	62					
5'	41	39	35	28	19	12	84	86	84	57	58	56	47	39	47					
6'	29	28	26	22	16	11	66	67	66	44	46	44	36	33	35					
7'	20	20	19	16	13	10	52	53	52	35	37	35	27	27	27					
8'	14	14	13	12	10	8	41	42	41	28	29	28	22	22	21					
9'	10	10	10	9	8	6	34	34	34	23	24	23	17	18	17					
▼ is the beam center																				

\*All multiple layouts are based on five fixtures aimed at 40 degrees from nadir.

Fixture Wattage	Total Watts @120V	Light Output (Fixture Delivered Lumens)	Lumens Per Watt	LM-63 Test #
14W	13.6W	1621Lm	119.2 Lm/W	G19012501
19W	19.5W	2245Lm	115.1 Lm/W	G19012403
28W	27.6W	2984Lm	108.1 Lm/W	G19012402
35W	35.2W	3529Lm	100.2 Lm/W	G19012401

Color Rendering Index (CRI)<sup>1</sup>: 81  
 Color Temperature (CCT)<sup>2</sup>: 3048  
 Spectral Power Distribution Chart<sup>3</sup>



1. Accuracy of rendering colors
2. Color appearance of light source
3. Colors present within the light source

LM-79 Test: 85820

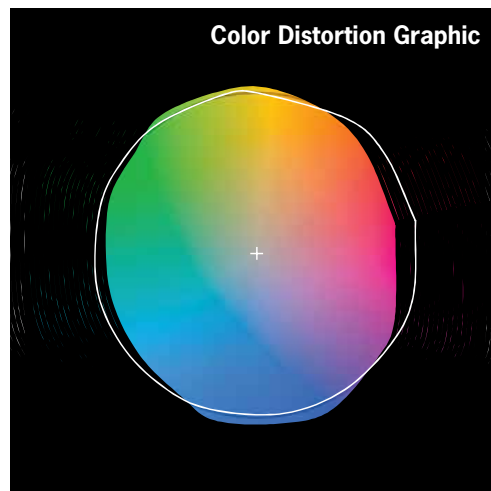
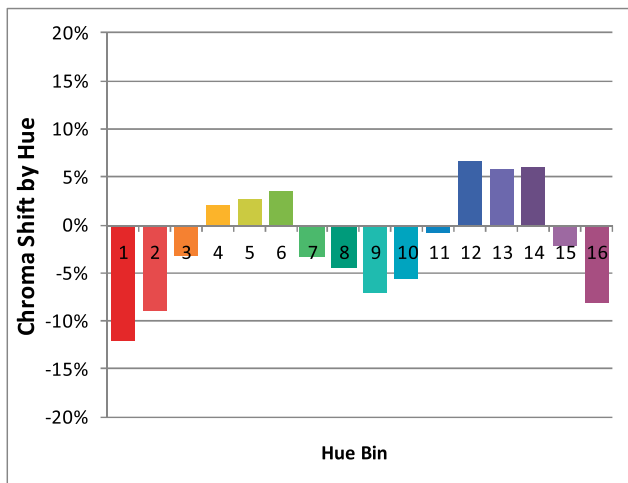
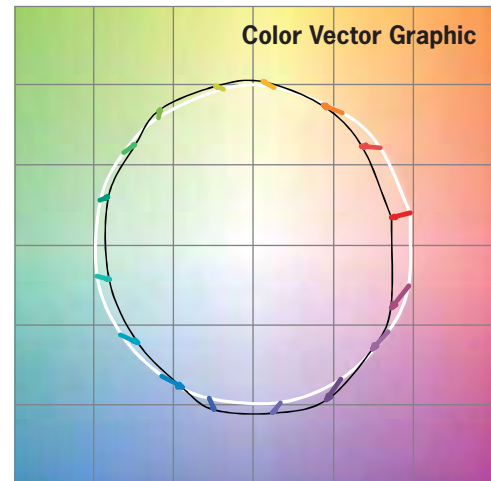
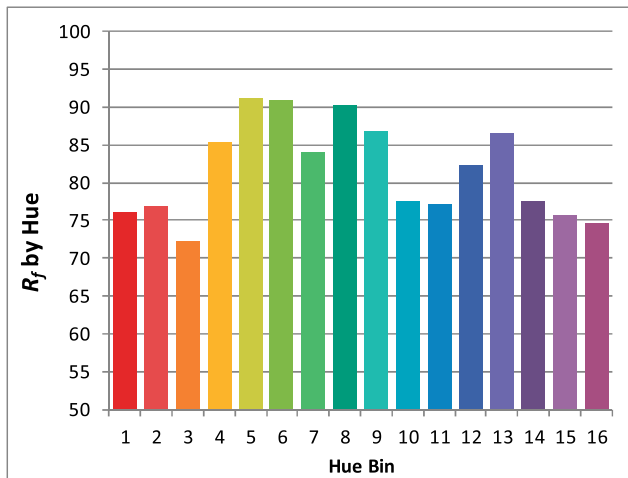
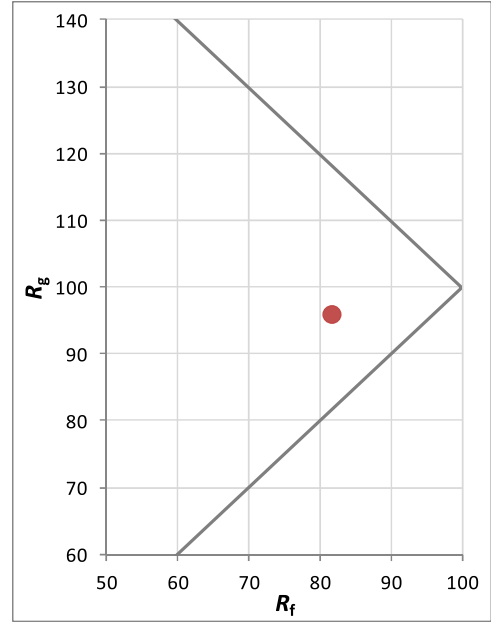
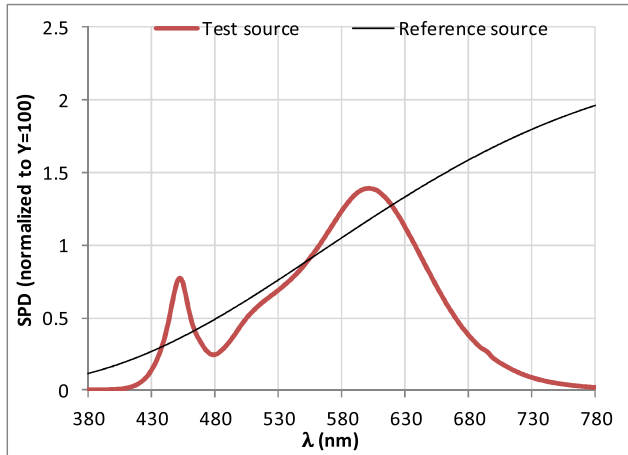
# CTL19

## Mini-Stealth LED Wall Lighter Track Luminaire

### TM-30 Data: CTL192H3D

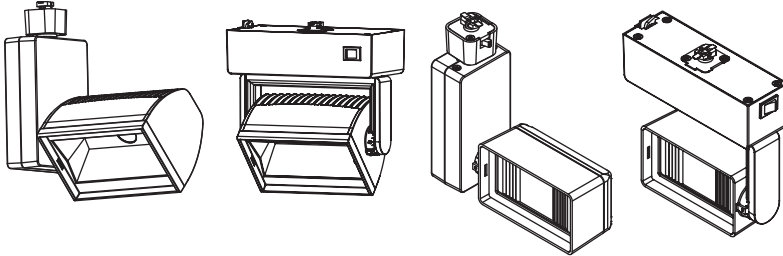
TM-30 Test: 92025-SPHERE

$R_f$	82	CCT (K)	3023
$R_g$	96	$D_{uv}$	-0.0009
		$u'$	0.2501
LER	329	$v'$	0.5196



For ConTech Lighting Stealth Series Track Luminaires: **CTL18 and CTL19 Series**

- Incandescent 120VAC dimmers adjust the light with “forward phase control,” where the dimmer “chops” the forward part of the AC wave to deliver less or more power to the light source. No neutral wire connection required.
- Electronic low voltage 120VAC dimmers adjust the light with “reverse phase control,” where the dimmer “chops” the back part of the AC wave to deliver less or more power to the light source. Neutral wire connection required.
- Lutron HiLume drivers provide continuous dimming from 1%-100%. For a complete list of compatible dimmers and controls, please visit [www.lutron.com](http://www.lutron.com)



Manufacturer	Model	Dimming Range <sup>1</sup>	
		Min	Max
Lutron	DVCL-153P	0%	100%
Lutron	TGCL-153P	0%	100%
Leviton	VPE06	4%	100%
Lutron	DVELV303P	3%	100%
Lutron	SELV300P	3%	100%
Leviton	6673-10W	11%	100%
Lutron	MAELV600	0%	100%
Lutron	FAELV500	7%	100%
Lightolier	ZP260QEW	0%	100%
Lutron	SCL-153P	0%	100%
Lutron	MACL-153M	0%	99%
Lutron	RRD-6CL	2%	98%
Lutron	SF10P	2%	98%

Notes

1. If light is measured, then the dimming range is based on light output. If light is not measured, then the dimming range is based on the percentage of output current.
2. Testing was performed with a single fixture connected to dimmer.
3. Testing has been performed on these dimmers, but this does not imply any warranty of compatibility.
4. Dimming performance can be influenced by different loads, as well as variations in dimmer switches within the same model.
5. Dimmer maximum load rating with LED may differ from published traditional source dimmer ratings. Consult manufacturer for maximum dimmer information.
6. Consult factory for additional dimming information.