

CTL18 V

Stealth LED Wall Lighter Track Luminaire

Specifications/Features

Fixture

High performance, eco-friendly LED track fixture delivering up to 5900 lumens in a smooth wide beam providing excellent uniformity; well suited for any wall lighting application.

Available in six (6) wattage/lumen options to provide the right light levels for any wall lighting application.

Cast and finned aluminum heatsink has been thermally engineered to provide optimal heat dissipation ensuring long life and consistent performance.

Dimming is available (120V only) and allows smooth illumination down to 1% utilizing Lutron Hi Lume driver option. For dimmer compatibility of standard "D" driver option, refer to Dimming Specifications sheet.

Lockable, precision aiming adjustment: 360°+ aiming horizontal and 360° vertical rotation.

Integral ON/OFF switch and track polarity indicator are standard.

Can accept up to two (2) media by using the FA-18 Accessory Holder, FA-48 Snoot, FA-51 Visor or BD18 Barn Doors.

Lamp

Light engine consists of a single, high lumen output multi-chip LED array.

Available in the following color temperatures: 2700K, 3000K, 3500K and 4000K; CRI 80 min., 83 Typical. High CRI 90+ available.

Excellent fixture to fixture color consistency within a 3-step MacAdam Ellipse tolerance.

System designed and rated for 50,000 hours at 70% lumen maintenance.

Electrical

Nominal Wattage	Driver Option*	Input Wattage	Input Voltage	Frequency
16W/2200Lm	D	16W	120V-277V	50/60Hz
	D3	16W	120V	50/60Hz
22W/3000Lm	D	22W	120V-277V	50/60Hz
	D3	22W	120V	50/60Hz
31W/4100Lm	D	31W	120V-277V	50/60Hz
	D3	30W	120V	50/60Hz
36W/4700Lm	D	36W	120V-277V	50/60Hz
	D3	37W	120V	50/60Hz
43W/5400Lm	D	43W	120V-277V	50/60Hz
	D3	43W	120V	50/60Hz
47W/5900Lm	D	47W	120V-277V	50/60Hz

*Dimmable at 120V only.

The CTL18 fixtures utilize drivers manufactured by ERP and Lutron. For additional information, please consult factory.

Warranty

This complete fixture is covered by ConTech's full five (5) year replacement guarantee after date of purchase.

Listing

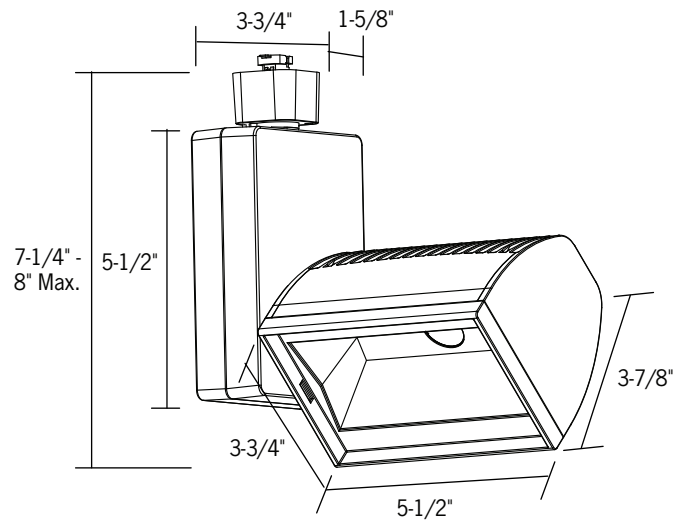
cCSAus Certified to UL standards. Suitable for dry locations.

Energy Star Listed.

35W Luminaire in 3000K, 3500K and 4000K can be used to comply with the 2016 Title 24 Part 6 JA8 high efficacy LED light source requirements.

Fixture Compatibility

Standard ConTech track fixtures are cCSAus certified as-is for use with ConTech's many track systems, as well as with Juno^{®1} Lighting track. By changing the prefix in the part number, ConTech can install inserts which make our fixtures compatible with other manufacturers. Replace "CTL" with "HTL" for Halo^{®2} track, "LTL" for Lightolier^{®3} track, and "PTL" for Capri^{®4} track. For more information, please consult our factory.



1. Juno is a registered trademark of Juno Lighting
 2. Halo is a registered trademark of Cooper Lighting
 3. Lightolier is a registered trademark of Philips Lighting
 4. Capri is a registered trademark of Philips Lighting

CTL18 V

Stealth LED Wall Lighter Track Luminaire

Ordering Information

Example Order: -

Track System	Fixture	Orientation	Color Temp	Driver Option	Finish	Accessories
<input type="text"/>	<input type="text"/>	<input type="text"/>	<input type="text"/>	<input type="text"/>	<input type="text"/>	<input type="text"/>
CTL - ConTech HTL - Halo LTL - Lightolier PTL - Capri	189 - 16W/2200Lm 180 - 22W/3000Lm 181 - 31W/4100Lm 182 - 36W/4700Lm 183 - 43W/5400Lm 184 - 47W/5900Lm	V - Vertical	27 - 2700K 3 - 3000K 35 - 3500K 4 - 4000K 27C - 2700K, 90+ CRI 3C - 3000K, 90+ CRI 35C - 3500K, 90+ CRI 4C - 4000K, 90+ CRI	D - Dimming D3 - Lutron Hi-lume 1% 2-Wire LED Driver (120V Forward Phase Only) N/A 47W Fixture	B - Black P - White S - Silver	FA-18-(B,P,S) - Accessory Holder FA-48-(B,P,S) - Snoot/Access. Holder FA-51-(B,P,S) - Visor/Access. Holder BD18-(B,P,S) - Barn Doors/Access. Holder LF48-*** - Tempered Glass Lenses* <i>*Accessory Holder is required</i>

***Color/Pattern Legend*
-A (Amber), **-B** (Blue), **-CL** (Clear), **-G** (Green), **-DPE** (Dichroic Peach), **-LB** (Light Blue),
-R (Red), **-RO** (Rose), **-Y** (Yellow), **-73** (Spread Lens), **-LSV** (Linear Spread Lens, Vertical),
-LSH (Linear Spread Lens, Horizontal), **-SL** (Soft Light), **-SOL** (Solite), **-UV** (Optivex UV Filter)

1. Juno is a registered trademark of Juno Lighting
 2. Halo is a registered trademark of Cooper Lighting
 3. Lightolier is a registered trademark of Philips Lighting
 4. Capri is a registered trademark of Philips Lighting

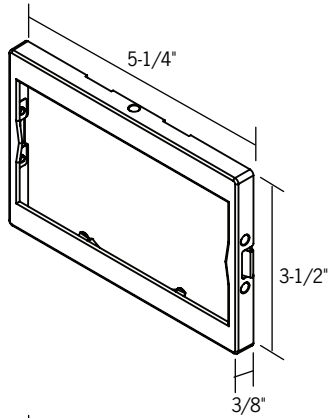
CTL18

Stealth LED Wall Lighter Track Luminaire Accessories

Catalog No. _____

Type _____

Project _____

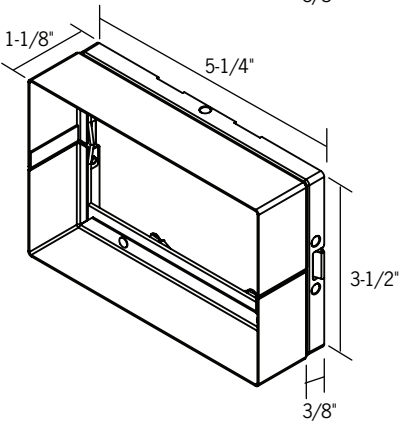


Accessory Holder

Will accept up to two (2) LF48 lenses or FA-52 louvers. Finish: B,P,S



FA-18

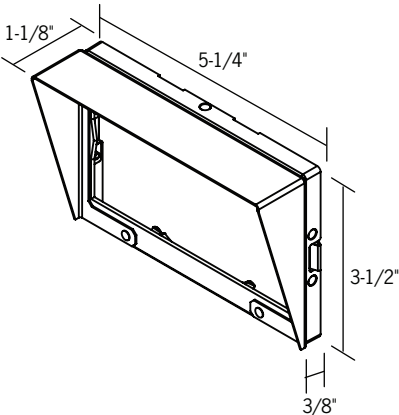


Snoot

Will accept up to two (2) LF48 lenses or FA-52 louvers. Finish: B,P,S, for P and S finishes, the inside surface is black.



FA-48

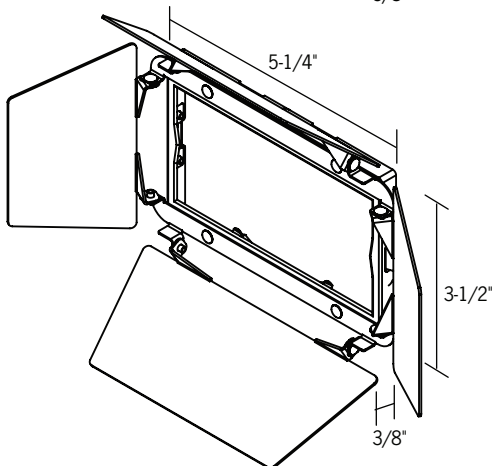


Visor

Will accept up to two (2) LF48 lenses or FA-52 louvers. Finish: B,P,S, for P and S finishes, the inside surface is black.



FA-51

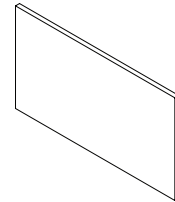


Barn Doors

Barn doors extend 3" max. from face of fixture. Width: 4-1/2" - 10-3/4", Height: 3-1/2" - 9". Will accept up to two (2) LF48 lenses or FA-52 louvers. Finish: B,P,S



BD18



Tempered Glass Lenses

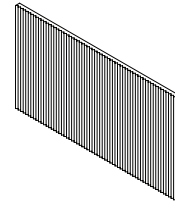
4-15/16" L x 2-3/4"H x 1/8" D



LF48 - (A, B, CL, DPE, G, LB, R, RO, Y, 73, SL, SOL, UV)

Color/Pattern Legend

-A (Amber), -B (Blue), -CL (Clear), -G (Green), -DPE (Dichroic Peach), -LB (Light Blue), -R (Red), -RO (Rose), -Y (Yellow), -73 (Spread Lens), -SL (Soft Light), -SOL (Solite), -UV (Optivex UV Filter)

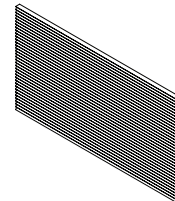


Linear Spread Lens, Horizontal

Linear spread glass with vertical ribs designed to elongate beams horizontally. 4-15/16" L x 2-3/4"H x 1/8" D



LF48-LSH

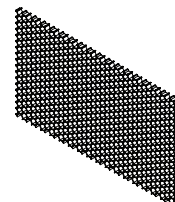


Linear Spread Lens, Vertical

Linear spread glass with horizontal ribs designed to elongate beams vertically. 4-15/16" L x 2-3/4"H x 1/8" D



LF48-LSV



Honeycomb Louver

Glare control and shielding accessory. 4-15/16" L x 2-3/4" H x 1/8" D



FA-52

CTL18 V

Stealth LED Wall Lighter Track Luminaire

Photometrics: CTL184V3D-P

Lumen output values fluctuate based on wattage, CCT and CRI. To estimate lumen output of the various options, multiply CTL184 (3000K, standard CRI) results using the table below.

Series	Multiplier
CTL189	0.37
CTL180	0.51
CTL181	0.68
CTL182	0.79
CTL183	0.90

CCT	Standard CRI	High CRI
2700K	.95	.74
3000K	N/A	.85
3500K	1.03	.89
4000K	1.07	.92

Series	D3
CTL189	0.30
CTL180	0.43
CTL181	0.61
CTL182	0.75
CTL183	0.83

Footcandles on Wall

Track 3 Feet From Wall, 10' Mounting Height, Tilted 40 Degrees

Distance From Ceiling	Single Unit						Multiple Units								
	0'	1'	2'	3'	4'	5'	4' On Center			6' On Center			8' On Center		
	▼						▼	▼	▼	▼	▼	▼	▼	▼	▼
1'	169	142	91	48	15	4	197	191	201	176	98	175	170	30	173
2'	227	193	129	80	38	11	303	265	305	233	166	231	228	78	229
3'	184	161	114	79	51	23	289	248	290	201	162	201	187	101	188
4'	114	105	80	60	42	27	202	189	203	142	122	142	119	87	119
5'	64	59	50	38	29	22	129	132	130	95	80	95	72	60	72
6'	37	35	31	25	20	16	89	91	89	64	58	64	49	42	49
7'	23	23	21	18	14	12	65	67	66	46	45	46	36	32	37
8'	16	16	15	13	11	9	50	51	51	35	35	34	27	25	28
9'	12	12	11	10	9	8	38	39	38	26	26	26	21	20	21

▼ is the beam center

Track 4 Feet From Wall, 10' Mounting Height, Tilted 40 Degrees

Distance From Ceiling	Single Unit						Multiple Units								
	0'	1'	2'	3'	4'	5'	4' On Center			6' On Center			8' On Center		
	▼						▼	▼	▼	▼	▼	▼	▼	▼	▼
1'	74	67	53	37	21	8	111	111	113	83	77	82	77	42	78
2'	125	113	86	62	42	22	212	192	214	145	128	144	130	87	131
3'	117	109	88	65	47	31	217	210	218	152	134	151	125	95	125
4'	101	94	76	57	44	33	195	195	196	141	121	141	108	90	108
5'	71	68	59	47	37	29	161	163	161	116	102	115	86	76	87
6'	47	45	40	33	27	22	119	121	120	84	78	84	66	56	67
7'	31	30	27	24	20	17	89	90	90	61	60	62	49	43	50
8'	21	20	19	17	15	13	67	70	68	47	48	47	37	35	37
9'	15	15	13	12	11	10	51	53	54	37	37	37	28	28	28

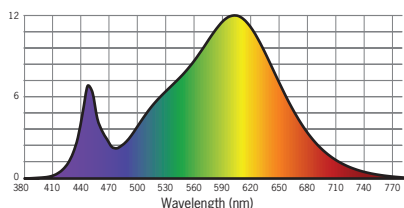
▼ is the beam center

*All multiple layouts are based on five fixtures aimed at 40 degrees from nadir.

Series	Total Watts @120V	Light Output (Fixture Delivered Lumens)	Lumens Per Watt	LM-63 Test #
CTL189	15.8W	2236Lm	141.5 Lm/W	G19032206
CTL180	21.9W	3049Lm	139.2 Lm/W	G19032204
CTL181	30.4W	4107Lm	135.1 Lm/W	G19032202
CTL182	35.8W	4718Lm	131.8 Lm/W	G19032104
CTL183	42.6W	5418Lm	127.2 Lm/W	G19032102
CTL184	45.9W	6002Lm	130.6 Lm/W	G19041502

Color Rendering Index (CRI)¹: 81
Color Temperature (CCT)²: 3116
Spectral Power Distribution Chart³

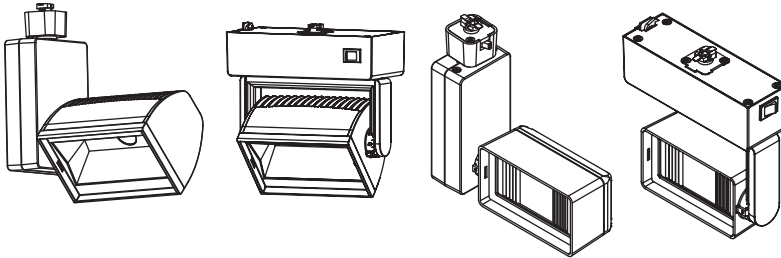
LM-79 Test: S19041604



1. Accuracy of rendering colors
2. Color appearance of light source
3. Colors present within the light source

For ConTech Lighting Stealth Series Track Luminaires: **CTL18 and CTL19 Series**

- Incandescent 120VAC dimmers adjust the light with “forward phase control,” where the dimmer “chops” the forward part of the AC wave to deliver less or more power to the light source. No neutral wire connection required.
- Electronic low voltage 120VAC dimmers adjust the light with “reverse phase control,” where the dimmer “chops” the back part of the AC wave to deliver less or more power to the light source. Neutral wire connection required.
- Lutron HiLume drivers provide continuous dimming from 1%-100%. For a complete list of compatible dimmers and controls, please visit www.lutron.com



Manufacturer	Model	Dimming Range ¹	
		Min	Max
Lutron	DVCL-153P	0%	100%
Lutron	TGCL-153P	0%	100%
Leviton	VPE06	4%	100%
Lutron	DVELV303P	3%	100%
Lutron	SELV300P	3%	100%
Leviton	6673-10W	11%	100%
Lutron	MAELV600	0%	100%
Lutron	FAELV500	7%	100%
Lightolier	ZP260QEW	0%	100%
Lutron	SCL-153P	0%	100%
Lutron	MACL-153M	0%	99%
Lutron	RRD-6CL	2%	98%
Lutron	SF10P	2%	98%

Notes

1. If light is measured, then the dimming range is based on light output. If light is not measured, then the dimming range is based on the percentage of output current.
2. Testing was performed with a single fixture connected to dimmer.
3. Testing has been performed on these dimmers, but this does not imply any warranty of compatibility.
4. Dimming performance can be influenced by different loads, as well as variations in dimmer switches within the same model.
5. Dimmer maximum load rating with LED may differ from published traditional source dimmer ratings. Consult manufacturer for maximum dimmer information.
6. Consult factory for additional dimming information.